

**FICHA TÉCNICA****ACCESORIOS PVC PARA EVACUACIÓN DE AGUAS RESIDUALES SERIE B**

**MATERIAL DE BASE:** PVC-U. PVC rígido (no plastificado).

**NORMA DE APLICACIÓN:** UNE EN 1329 y UNE EN 13501 con doble certificación AENOR.  
Certificado NF E de la CSTB según NF 055 y certificado de Sécurité Feu NF Me del LNE según NF 513.

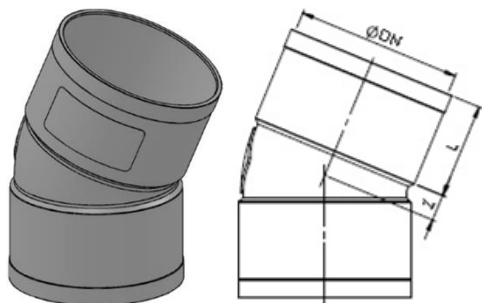
**COLOR:** GRIS (RAL 7037) y BLANCO (RAL 9010).

**CARACTERÍSTICAS DIMENSIONALES:** según lo establecido en las normas UNE EN 1329:2014 y NF 055.

**CARACTERÍSTICAS MECÁNICAS:**

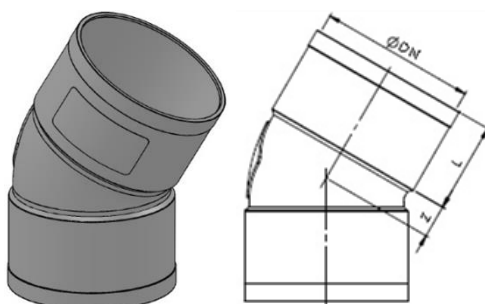
ENSAYOS TUBOS	VALORES EXIGIDOS	MÉTODO DE ENSAYO
Comportamiento al calor	Correcto	EN ISO 580
Temperatura de reblandecimiento VICAT	≥ 79 °C	ISO 2507-1
Estanquidad al agua (J.E)	Sin fuga	ISO 13254
Estanquidad al aire (J.E)	Sin fuga	ISO 13255
Ciclos de temperatura elevada (J.E.)	Sin fuga antes y después del ensayo	ISO 13257 (Montaje a)
Reacción al fuego (min. B-S <sub>3</sub> ,d <sub>0</sub> )	B-S <sub>1</sub> ,d <sub>0</sub>	UNE EN 13823 UNE EN 11925
Tasa de expansión	≥ 800 %	NF 513

### CODO HEMBRA-HEMBRA 22° 30'



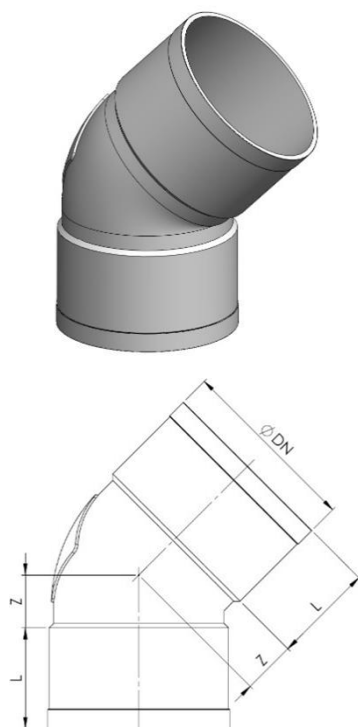
Código	Ø (mm)	L (mm)	Z (mm)	AENOR	NF E	NF Me
205270	100	57,0	18,0			

### CODO HEMBRA-HEMBRA 30° 30'



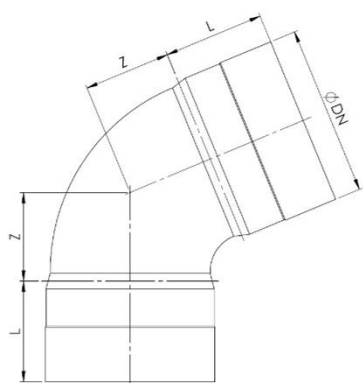
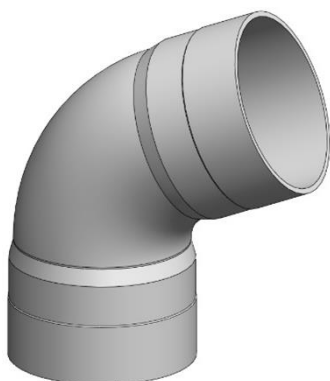
Código	Ø (mm)	L (mm)	Z (mm)	AENOR	NF E	NF Me
205271	100	57,0	23,0			

### CODO HEMBRA-HEMBRA 45°



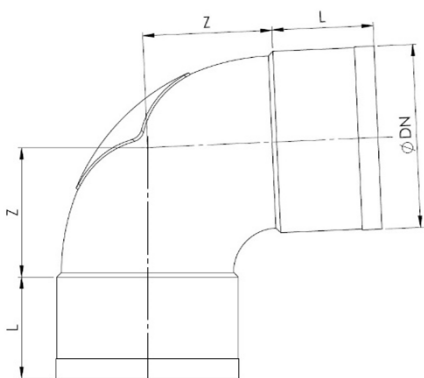
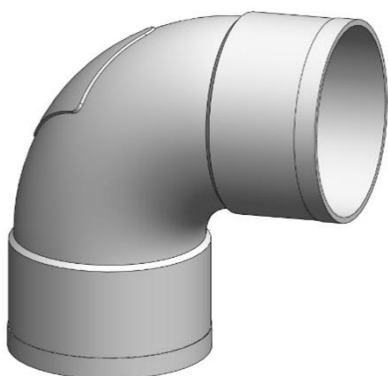
Código	Ø (mm)	L (mm)	Z (mm)	AENOR	NF E	NF Me
205272	32	23,0	11,0			
205273	40	27,0	13,0			
205274	50	32,0	17,0			
303412	63	39,0	22,0			
205275	80	47,0	26,0			
205276	100	57,0	33,0			
205277	110	61,0	37,0			
205278	125	61,0	42,0			
303410	140	61,0	47,0			
303401	160	72,0	50,0			
303396	200	85,0	65,0			
303397	250	101,0	79,0			

## CODO HEMBRA-HEMBRA 67° 30'



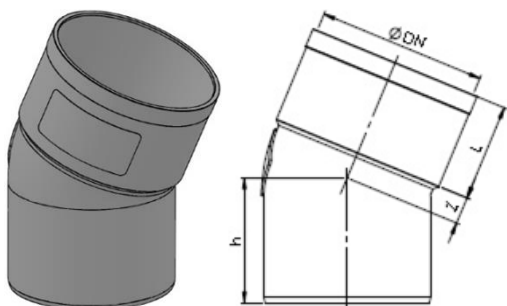
Código	Ø (mm)	L (mm)	Z (mm)	AENOR	NF E	NF Me
205279	32	26,0	15,0			
205280	40	26,0	20,0			
205281	50	31,0	19,0			

## CODO HEMBRA-HEMBRA 87° 30'



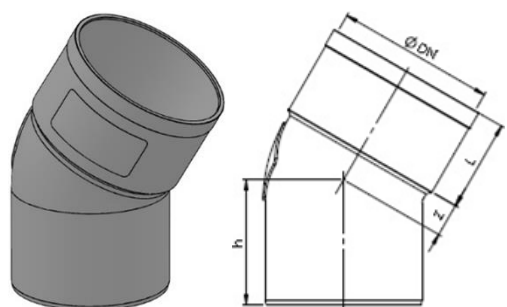
Código	Ø (mm)	L (mm)	Z (mm)	AENOR	NF E	NF Me
205282	32	23,0	25,0			
205283	40	27,0	31,0			
205284	50	32,0	39,0			
303411	63	39,0	48,0			
205285	80	47,0	60,0			
205286	100	57,0	77,0			
205287	110	61,0	85,0			
205288	125	61,0	97,0			
303415	140	61,0	83,0			
303395	160	60,0	124,0			
303402	200	60,0	153,0			
303398	250	103,0	155,0			

## CODO MACHO-HEMBRA 22° 30'



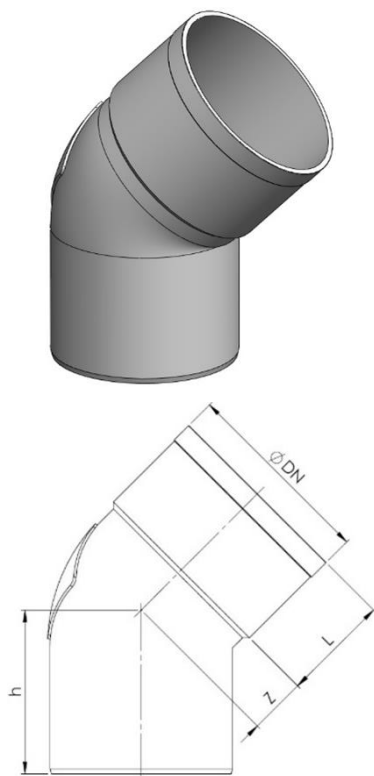
Código	Ø (mm)	h (mm)	L (mm)	Z (mm)	AENOR	NF E	NF Me
205289	100	75,0	57,0	18,0	☒	NF E	NF Me

## CODO MACHO-HEMBRA 30° 30'



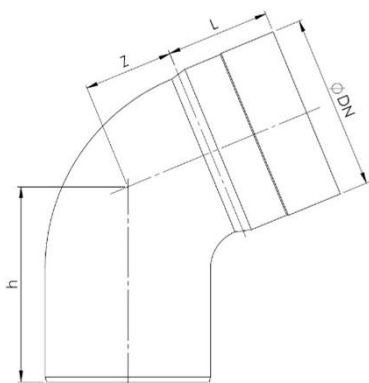
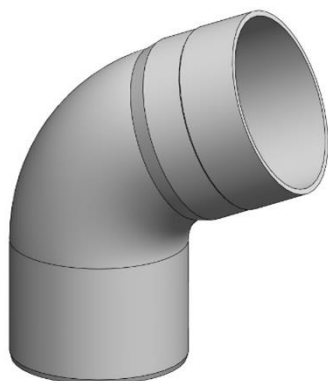
Código	Ø (mm)	h (mm)	L (mm)	Z (mm)	AENOR	NF E	NF Me
205290	100	80,0	57,0	23,0	☒	NF E	NF Me

## CODO MACHO-HEMBRA 45°



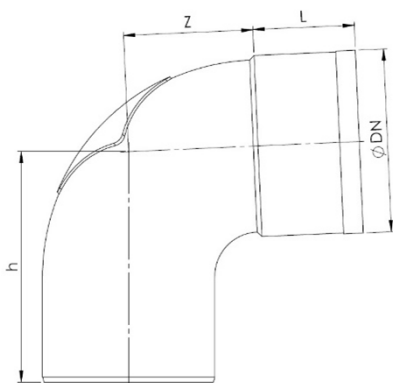
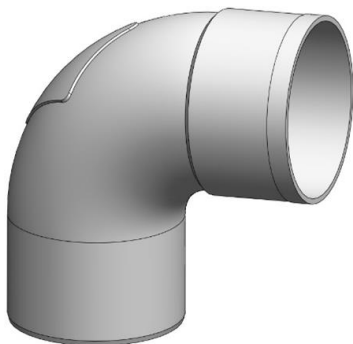
Código	Ø (mm)	h (mm)	L (mm)	Z (mm)	AENOR	NF E	NF Me
205291	32	34,0	23,0	11,0	☒	NF E	NF Me
205292	40	40,0	27,0	13,0	☒	NF E	NF Me
205293	50	49,0	32,0	17,0	☒	NF E	NF Me
205294	63	66,0	50,0	26,0			NF Me
205295	75	80,0	56,0	23,0	☒		NF Me
205296	80	73,0	47,0	26,0	☒	NF E	NF Me
205297	90	85,0	62,0	23,0	☒		NF Me
205298	100	90,0	57,0	33,0	☒	NF E	NF Me
205299	110	98,0	61,0	37,0	☒	NF E	NF Me
205300	125	103,0	61,0	42,0	☒	NF E	NF Me
205301	140	120,0	80,0	40,0			NF Me
205302	160	145,0	96,0	55,0	☒		NF Me
205303	200	165,0	103,0	60,0			NF Me
205304	250	195,5	134,0	70,0	☒	NF E	NF Me
205305	315	230,0	155,0	85,0	☒	NF E	NF Me
303189	400	280,0	155,0	125,0			

## CODO MACHO-HEMBRA 67° 30'



Código	Ø (mm)	h (mm)	L (mm)	Z (mm)	AENOR	NF E	NF Me
205306	32	47,0	26,0	19,0			NF Me
205307	40	58,0	36,0	26,0			NF Me
205308	50	67,0	35,0	30,0			NF Me
205309	63	72,0	40,0	41,0			NF Me
205310	75	80,0	44,5	34,0			NF Me
205311	80	98,0	49,0	35,0			NF Me
205312	90	91,0	50,0	39,0			NF Me
205313	100	118,0	67,0	50,0			NF Me
205314	110	108,0	59,0	40,0			NF Me
205315	125	110,0	69,0	48,0			NF Me
205316	160	143,0	73,0	64,0			NF Me

## CODO MACHO-HEMBRA 87° 30'



Código	Ø (mm)	h (mm)	L (mm)	Z (mm)	AENOR	NF E	NF Me
205317	32	48,0	23,0	25,0	∅	NF E	NF Me
205318	40	58,0	27,0	31,0	∅	NF E	NF Me
205319	50	71,0	32,0	39,0	∅	NF E	NF Me
205320	63	85,0	50,0	35,0			NF Me
205321	75	102,0	51,0	45,0	∅		NF Me
205322	80	106,5	47,0	60,0	∅	NF E	NF Me
205323	90	115,0	59,0	52,0	∅		NF Me
205324	100	134,0	57,0	77,0	∅	NF E	NF Me
205325	110	146,0	61,0	85,0	∅	NF E	NF Me
205326	125	158,0	61,0	97,0	∅	NF E	NF Me
205327	140	154,0	80,0	74,0			NF Me
205328	160	180,0	97,0	79,0	∅		NF Me
205329	200	195,0	101,0	95,0	∅		NF Me
205330	250	263,5	134,0	135	∅		NF Me
205331	315	340,0	155,0	170	∅	NF E	NF Me
303188	400	400,0	155,0	245			

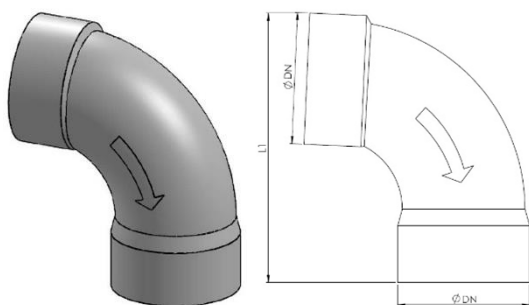
## CODO MACHO-HEMBRA 45° (ESPACIO REDUCIDO)

Código	∅ (mm)	h (mm)	L (mm)	Z (mm)	AENOR	NF E	NF Me
205624					✗		NF Me

## CODO MACHO-HEMBRA 87° 30' (ESPACIO REDUCIDO)

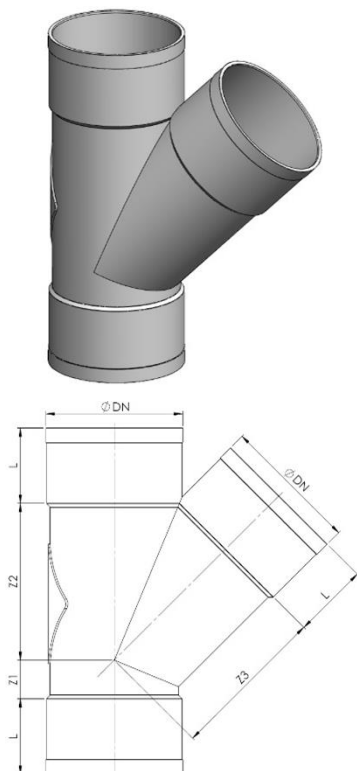
Código	∅ (mm)	h (mm)	L (mm)	Z (mm)	AENOR	NF E	NF Me
205625					✗		NF Me

## CURVA ALTO IMPACTO HEMBRA-HEMBRA 87° 30'



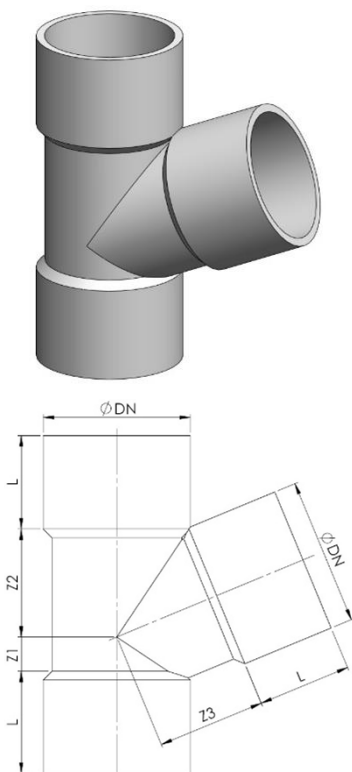
Código	∅ (mm)	L <sub>1</sub> (mm)	AENOR	NF E	NF Me
205332	110	245,0	✗		NF Me

## INJERTO HEMBRA-HEMBRA 45°



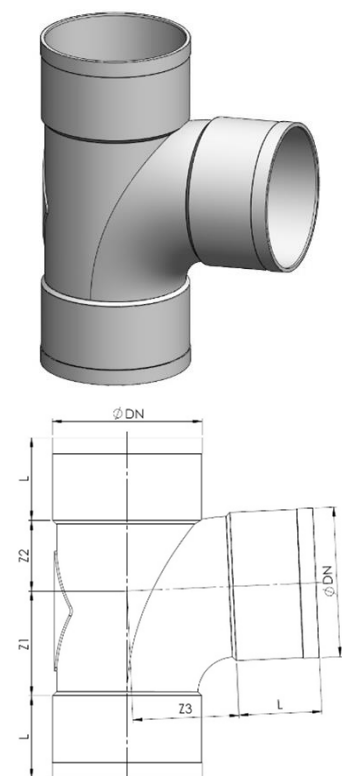
Código	∅ (mm)	L (mm)	Z <sub>1</sub> (mm)	Z <sub>2</sub> (mm)	Z <sub>3</sub> (mm)	AENOR	NF E	NF Me
205333	32	23,0	11,0	41,0	41,0	✗	NF E	NF Me
205334	40	27,0	13,0	51,0	51,0	✗	NF E	NF Me
205335	50	32,0	17,0	63,0	63,0	✗	NF E	NF Me
303414	63	39,0	21,0	81,0	81,0		NF E	NF Me
205336	80	47,0	25,0	100,0	100,0	✗	NF E	NF Me
205337	100	57,0	33,0	124,0	124,0	✗	NF E	NF Me
205338	110	61,0	37,0	138,0	138,0	✗	NF E	NF Me
205339	125	61,0	42,0	156,0	156,0	✗	NF E	NF Me
303409	140	60,0	32,0	176,0	182,0			NF Me
303405	160	65,0	45,0	203,0	212,0			NF Me
303416	200	86,0	45,0	250,0	266,0			
303403	250	103,0	57,0	315,0	346,0			

## INJERTO HEMBRA-HEMBRA 67° 30'



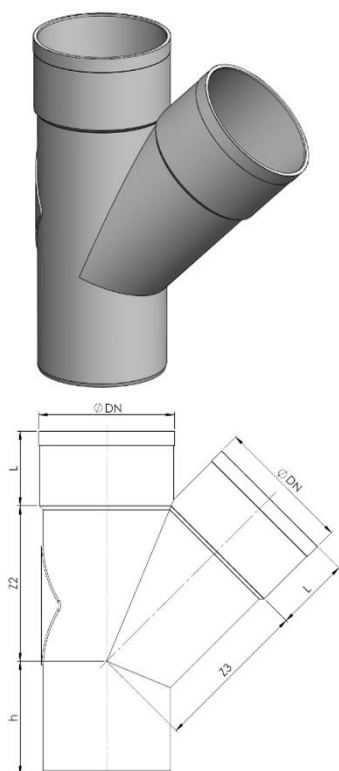
Código	Ø (mm)	L (mm)	Z <sub>1</sub> (mm)	Z <sub>2</sub> (mm)	Z <sub>3</sub> (mm)	AENOR	NF E	NF Me
205340	32	23,0	13,0	28,0	28,0	✗		NF Me
205341	40	27,0	15,0	35,0	35,0	✗		NF Me
205342	50	30,0	19,0	44,0	44,0	✗		NF Me

## INJERTO HEMBRA-HEMBRA 87° 30'



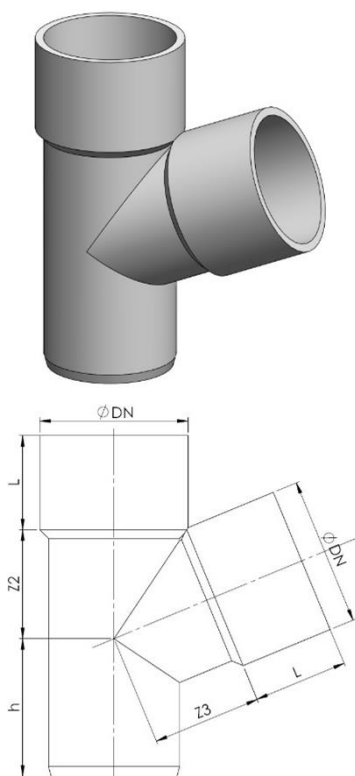
Código	Ø (mm)	L (mm)	Z <sub>1</sub> (mm)	Z <sub>2</sub> (mm)	Z <sub>3</sub> (mm)	AENOR	NF E	NF Me
205343	32	23,0	25,0	17,0	25,0	✗	NF E	NF Me
205344	40	27,0	31,0	21,0	31,0	✗	NF E	NF Me
205345	50	32,0	39,0	26,0	39,0	✗	NF E	NF Me
303413	63	39,0	48,0	33,0	48,0			NF Me
205346	80	47,0	62,0	40,0	62,0	✗	NF E	NF Me
205347	100	57,0	77,0	52,0	77,0	✗	NF E	NF Me
205348	110	61,0	85,0	57,0	85,0	✗	NF E	NF Me
205349	125	61,0	97,0	65,0	97,0	✗	NF E	NF Me
303419	140	62,0	70,0	66,0	70,0			NF Me
303420	160	74,0	95,0	92,0	95,0			NF Me
303417	200	86,0	120,0	118,0	120,0			
303418	250	103,0	152,0	152,0	152,0			

## INJERTO MACHO-HEMBRA 45°



Código	Ø (mm)	h (mm)	L (mm)	Z <sub>2</sub> (mm)	Z <sub>3</sub> (mm)	AENOR	NF E	NF Me
205350	32	34,0	23,0	41,0	41,0	✗	NF E	NF Me
205351	40	40,0	27,0	51,0	51,0	✗	NF E	NF Me
205352	50	49,0	32,0	17,0	17,0	✗	NF E	NF Me
205353	63	69,5	44,0	80,0	80,0			NF Me
205354	75	81,0	58,0	92,0	92,0	✗		NF Me
205355	80	72,0	47,0	100,0	100,0	✗	NF E	NF Me
205356	90	90,0	64,0	110,0	110,0	✗		NF Me
205357	100	89,0	57,0	124,0	124,0	✗	NF E	NF Me
205358	110	98,0	61,0	138,0	138,0	✗	NF E	NF Me
205359	125	103,0	61,0	156,0	156,0	✗	NF E	NF Me
205360	140	115,0	75,0	185,0	185,0			NF Me
205361	160	144,0	90,0	190,0	190,0	✗		NF Me
205362	200	145,0	105,0	235,0	235,0	✗	NF E	NF Me
303183	250	160,0	103,0	315,0	315,0			
303184	315	188,0	115,0	380,0	380,0			

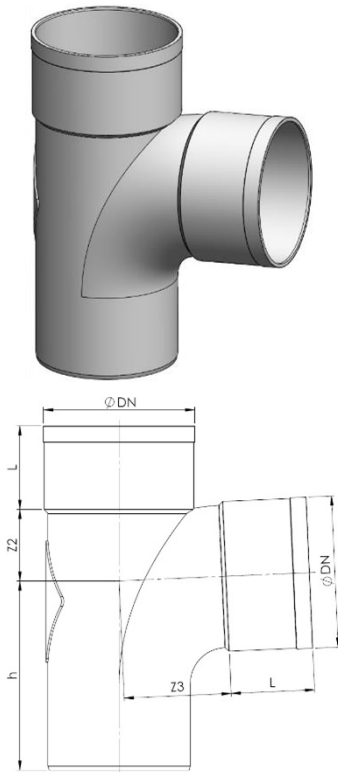
## INJERTO MACHO-HEMBRA 67° 30'



Código	Ø (mm)	h (mm)	L (mm)	Z <sub>2</sub> (mm)	Z <sub>3</sub> (mm)	AENOR	NF E	NF Me
205363	75	82,0	45,0	67,0	67,0			NF Me
205364	90	89,0	52,0	75,0	75,0	✗		NF Me
205365	110	111,0	67,0	92,0	92,0			NF Me
205366	125	115,0	71,0	100,0	100,0			NF Me
205367	160	131,0	74,0	126,0	126,0			NF Me

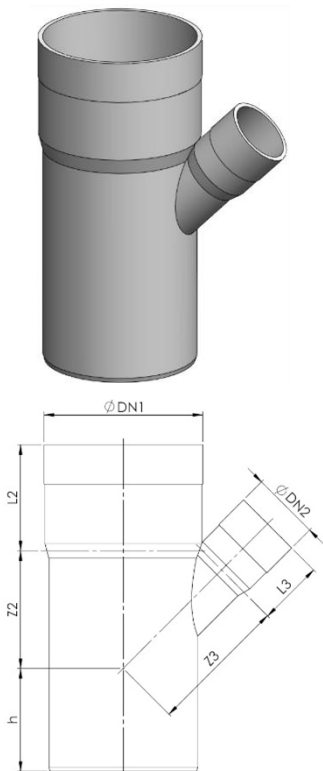


## INJERTO MACHO-HEMBRA 87° 30'



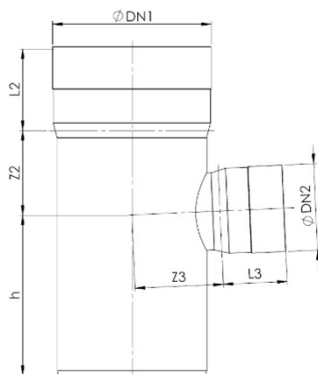
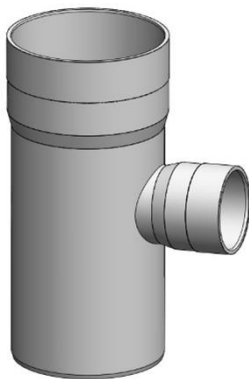
Código	Ø (mm)	h (mm)	L (mm)	Z <sub>2</sub> (mm)	Z <sub>3</sub> (mm)	AENOR	NF E	NF Me
205368	32	48,0	23,0	17,0	25,0	✗	NF E	NF Me
205369	40	58,0	27,0	21,0	31,0	✗	NF E	NF Me
205370	50	71,0	32,0	26,0	39,0	✗	NF E	NF Me
205371	63							NF Me
205372	75	107,0	58,0	50,0	50,0	✗		NF Me
205373	80	109,0	47,0	40,0	62,0	✗	NF E	NF Me
205374	90	119,0	64,0	53,0	53,0	✗		NF Me
205375	100	134,0	57,0	52,0	77,0	✗	NF E	NF Me
205376	110	146,0	61,0	57,0	85,0	✗	NF E	NF Me
205377	125	158,0	61,0	65,0	97,0	✗	NF E	NF Me
205378	140							NF Me
205379	160	190,0	97,0	90,0	90,0	✗		NF Me
205380	200	210,0	105,0	110,0	110,0			NF Me
205381	250	260,8	134,0	135,0	135,0	✗	NF E	NF Me
303185	315	320,0	115,0	185,0	185,0			NF Me

## INJERTO SIMPLE REDUCIDO MACHO-HEMBRA 45°



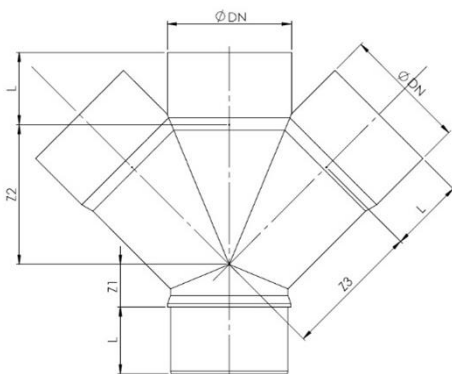
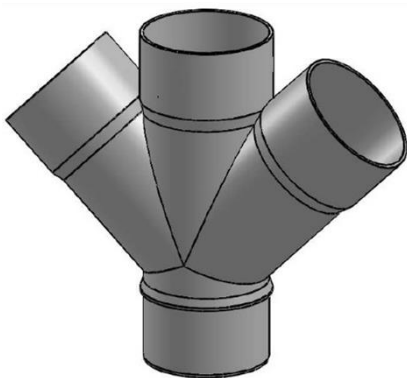
Código	Ø (mm)	h (mm)	L <sub>2</sub> (mm)	L <sub>3</sub> (mm)	Z <sub>2</sub> (mm)	Z <sub>3</sub> (mm)	AENOR	NF E	NF Me
205382	100/40	69,0	70,0	42,0	80,0	95,0			NF Me
205383	100/50	72,0	70,0	46,0	90,0	95,0			NF Me
205384	100/63	76,0	70,0	51,0	105,0	105,0			NF Me
205385	100/80	80,0	70,0	60,0	128,0	128,0			NF Me
205386	125/40	73,0	69,0	41,0	99,0	102,0			NF Me
205387	125/50								NF Me
205388	125/63	60,0	71,0	49,0	129,0	140,0			NF Me
205389	125/80								NF Me
205390	125/100	93,0	80,5	70,0	145,0	145,0			NF Me
205391	140/100	85,0	80,0	63,0	175,0	175,0			NF Me
205392	140/125								NF Me
205393	160/100	75,0	85,0	61,0	170,0	185,0			NF Me
205394	160/125								NF Me
205395	160/140								NF Me
205396	200/100	70,0	105,0	61,0	215,0	215,0			NF Me
205397	200/125	85,0	105,0	72,0	215,0	215,0			NF Me
205398	200/140								NF Me
205399	200/160								NF Me

## INJERTO SIMPLE REDUCIDO MACHO-HEMBRA 87° 30'



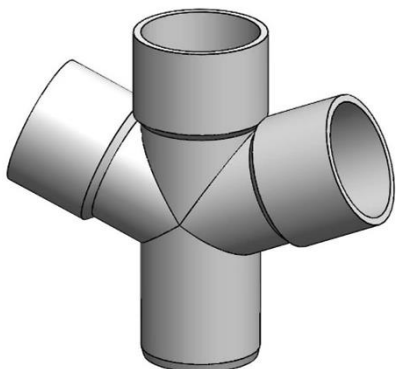
Código	∅ (mm)	h (mm)	L <sub>2</sub> (mm)	L <sub>3</sub> (mm)	Z <sub>2</sub> (mm)	Z <sub>3</sub> (mm)	AENOR	NF E	NF Me
205400	100/40	108,0	60,0	43,0	51,0	66,0			NF Me
205401	100/50								NF Me
205402	100/63								NF Me

## INJERTO DOBLE PLANO MACHO-HEMBRA 45°

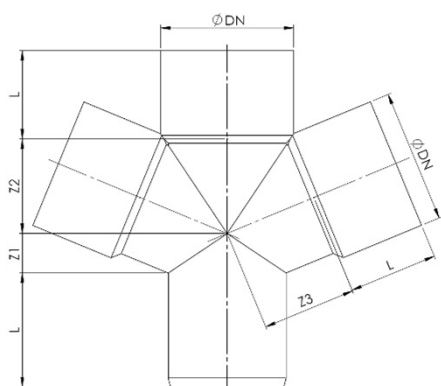


Código	∅ (mm)	L (mm)	Z <sub>1</sub> (mm)	Z <sub>2</sub> (mm)	Z <sub>3</sub> (mm)	AENOR	NF E	NF Me
205403	63							NF Me
303031	75	45,0	20,0	88,0	97,0			
303034	90	49,0	23,0	107,0	107,0			
205404	100							NF Me
205405	110	66,0	26,0	120,0	135,0			NF Me
303040	125	69,0	27,0	147,0	147,0			
303043	160	72,0	78,0	170,0	170,0			
303157	200	101,0	101,0	52,0	250,0			

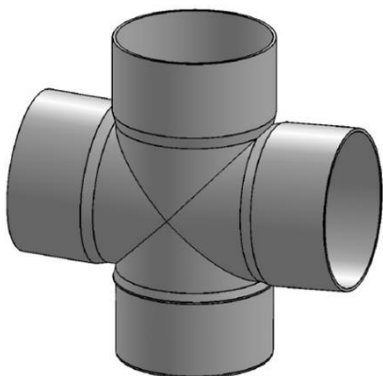
## INJERTO DOBLE PLANO MACHO-HEMBRA 67° 30'



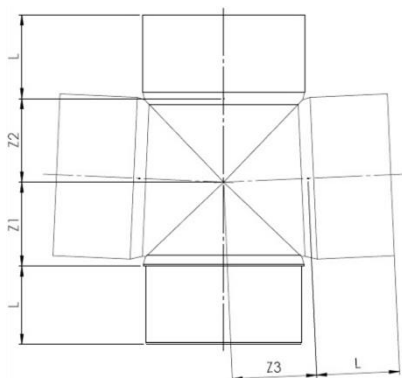
Código	∅ (mm)	L (mm)	Z <sub>1</sub> (mm)	Z <sub>2</sub> (mm)	Z <sub>3</sub> (mm)	AENOR	NF E	NF Me
303032	75	46,0	29,0	67,0	67,0			
303035	90							
303038	110	62,0	43,0	95,0	95,0			
303041	125	69,0	45,0	110,0	110,0			
303044	160							



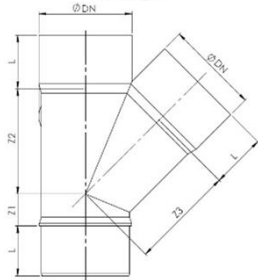
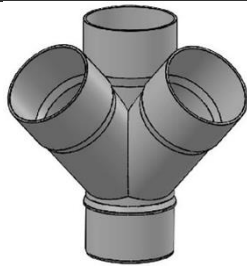
## INJERTO DOBLE PLANO MACHO-HEMBRA 87° 30'



Código	∅ (mm)	L (mm)	Z <sub>1</sub> (mm)	Z <sub>2</sub> (mm)	Z <sub>3</sub> (mm)	AENOR	NF E	NF Me
303033	75	46,0	55,5	41,0	52,0			
303036	90	51,0	57,0	57,0	57,0			
303039	110	60,0	68,0	68,0	68,0			
303042	125	70,0	75,0	78,0	78,0			
303045	160	85,0	85,0	85,0	85,0			
303005	200	105,0	105,0	105,0	105,0			

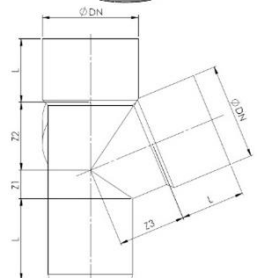
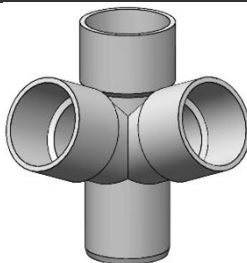


## INJERTO DOBLE A ESCUADRA 45°



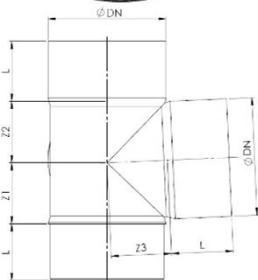
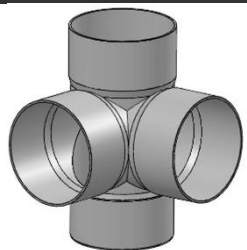
Código	Ø (mm)	L (mm)	Z <sub>1</sub> (mm)	Z <sub>2</sub> (mm)	Z <sub>3</sub> (mm)	AENOR	NF E	NF Me
303046	75							
303049	90							
303052	110	66,0	26,0	15,0	15,0			
303055	125	63,0	0,0	155,0	155,0			
303004	160	73,0	1,5	170,0	170,0			

## INJERTO DOBLE A ESCUADRA 67° 30'



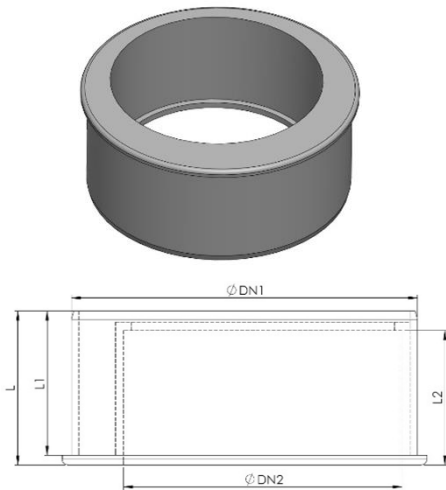
Código	Ø (mm)	L (mm)	Z <sub>1</sub> (mm)	Z <sub>2</sub> (mm)	Z <sub>3</sub> (mm)	AENOR	NF E	NF Me
303047	75	45,0	31,0	68,0	68,0			
303050	90	62,0	36,0	73,0	73,0			
303053	110	61,0	53,0	78,0	78,0			
303056	125	73,0	51,0	100,0	100,0			
303006	160	74,0	55,0	135,0	135,0			

## INJERTO DOBLE A ESCUADRA 87° 30'



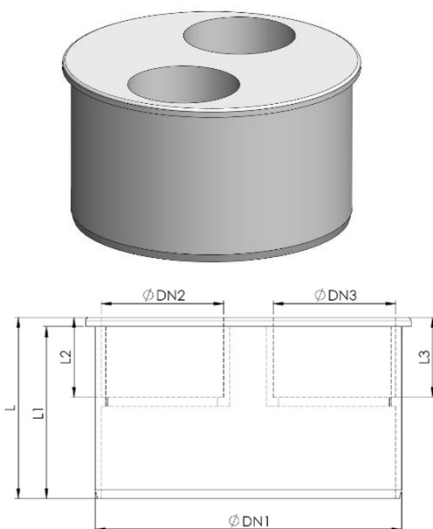
Código	Ø (mm)	L (mm)	Z <sub>1</sub> (mm)	Z <sub>2</sub> (mm)	Z <sub>3</sub> (mm)	AENOR	NF E	NF Me
303048	75	59,0	41,0	44,0	44,0			
303051	90	63,0	47,0	47,0	47,0			
303054	110	65,0	71,0	71,0	71,0			
303057	125	70,0	82,0	80,0	80,0			
303007	160	74,0	84,0	84,0	84,0			

## TAPÓN REDUCCIÓN SIMPLE MACHO-HEMBRA



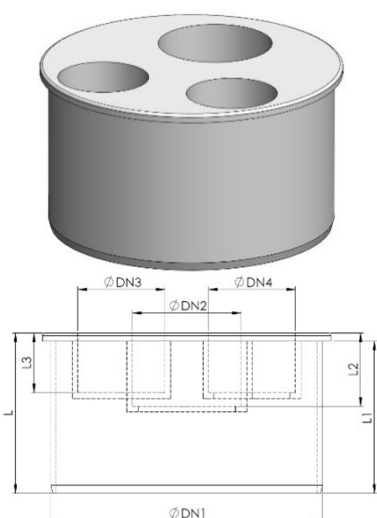
Código	$\varnothing$ (mm)	L (mm)	L <sub>1</sub> (mm)	L <sub>2</sub> (mm)	AENOR	NF E	NF Me
205406	75/50	40,0	36,0	31,0			NF Me
205407	75/40	40,0	36,0	27,0			NF Me
205408	75/32	40,0	36,0	24,0			NF Me
205409	90/50	40,0	36,0	31,0			NF Me
205410	90/40	40,0	36,0	27,0			NF Me
205411	90/32	40,0	36,0	24,0			NF Me
205412	100/90	60,1	57,0	52,0			NF Me
205413	100/80	60,1	57,0	47,0			NF Me
205414	100/75	60,1	57,0	44,5			NF Me
205415	100/63	60,1	57,0	38,5			NF Me
205416	100/50	60,1	57,0	32,0			NF Me
205417	100/40	60,1	57,0	27,0			NF Me
205418	100/32	60,1	57,0	23,0			NF Me
205419	110/50	49,0	45,5	31,0			NF Me
205420	110/40	49,0	45,5	27,0			NF Me
205421	110/32	49,0	45,5	24,0			NF Me
205422	125/110	55,0	52,0	48,0			NF Me
205423	125/100	55,3	52,3	48,0			NF Me
205424	125/90	55,3	52,3	46,0			NF Me
205425	125/75	48,4	45,0	43,0			NF Me
205426	125/50	52,0	48,0	31,0			NF Me
205427	125/40	48,0	45,0	27,0			NF Me
205631	160/125	65,3	62,0	52,0			NF Me
205632	160/110	65,3	62,0	49,0			NF Me
205627	200/160	71,0	67,0	62,0			NF Me
205628	200/125	71,0	67,0	52,0			NF Me
205629	200/110	71,0	67,0	49,0			NF Me

## TAPÓN REDUCCIÓN DOBLE MACHO-HEMBRA



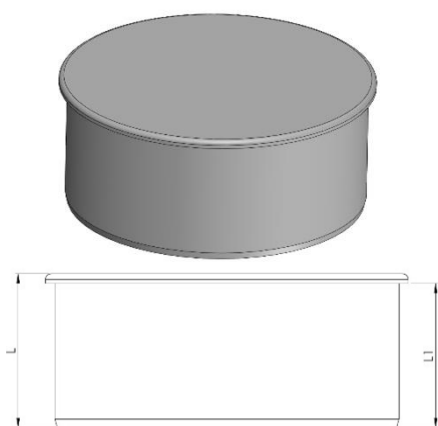
Código	$\varnothing$ (mm)	L (mm)	L <sub>1</sub> (mm)	L <sub>2</sub> (mm)	L <sub>3</sub> (mm)	AENOR	NF E	NF Me
205428	90/40/32	40,0	36,0	27,0	23,0			NF Me
205429	90/32/32	53,0	49,5	24,0	23,0			NF Me
205430	100/50/40	60,1	57,0	32,0	27,0			NF Me
205431	100/50/32	60,1	57,0	32,0	23,0			NF Me
205432	100/40/40	60,1	57,0	27,0	27,0			NF Me
205433	100/40/32	60,1	57,0	27,0	23,0			NF Me
205434	100/32/32	60,1	57,0	23,0	23,0			NF Me
205435	110/50/40	48,5	45,5	30,6	27,0			NF Me
205436	110/50/32	50,0	45,5	31,0	21,4			NF Me
205437	110/40/40	48,5	45,5	27,0	27,0			NF Me
205438	110/40/32	48,5	45,5	27,0	23,0			NF Me
205439	110/32/32	48,5	45,5	23,0	23,0			NF Me
205440	125/40/32	48,0	45,0	27,0	23,0			NF Me
205441	125/40/40	48,0	45,0	27,0	27,0			NF Me
205442	125/50/32	48,0	45,0	30,0	23,0			NF Me
205443	125/50/40	48,0	45,0	30,0	27,0			NF Me

## TAPÓN REDUCCIÓN TRIPLE MACHO-HEMBRA



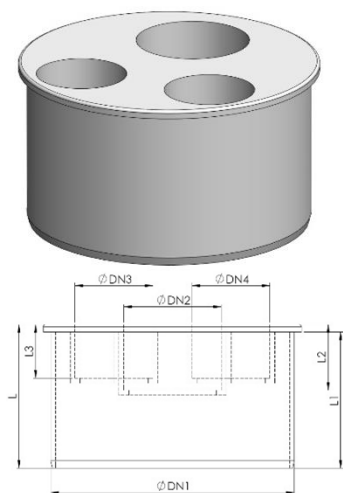
Código	∅ (mm)	L (mm)	L <sub>1</sub> (mm)	L <sub>2</sub> (mm)	L <sub>3</sub> (mm)	L <sub>4</sub> (mm)	AENOR	NF E	NF Me
205449	100/32/32/32	60,0	57,0	23,0	23,0	23,0			NF Me
205450	100/40/40/40	60,0	57,0	27,0	27,0	27,0			NF Me
205452	100/40/40/32	60,0	57,0	27,0	27,0	23,0			NF Me
205453	100/40/32/32	60,0	57,0	27,0	23,0	23,0			NF Me
205454	100/50/32/32	60,0	57,0	32,0	23,0	23,0			NF Me
303308	110/40/40-32	63,0	60,0	27,0	27,0	23,0			NF Me
303309	110/40/40-40	63,0	60,0	27,0	27,0	27,0			NF Me
303310	110/50/40-40	55,0	51,0	31,0	27,0	27,0			NF Me
205455	125/40/40-32	48,0	45,0	27,0	27,0	23,0			NF Me
205456	125/40/40-40	48,0	45,0	27,0	27,0	27,0			NF Me
205457	125/50/40-40	48,0	45,0	30,0	27,0	27,0			NF Me

## TAPÓN CIEGO MACHO



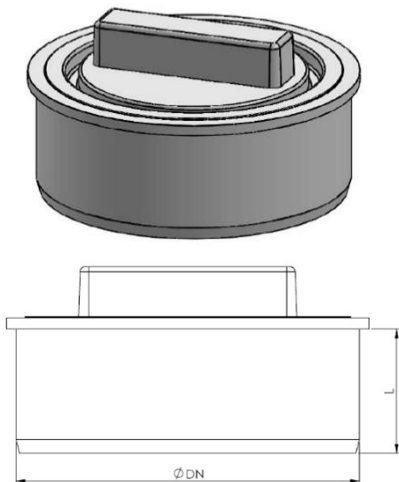
Código	∅ (mm)	L (mm)	L <sub>1</sub> (mm)	AENOR	NF E	NF Me
205639	40	30,5	27,0			NF Me
205638	50	35,0	32,0			NF Me
205444	75	40,5	36,8			NF Me
205445	90	40,5	36,4			NF Me
205446	100	60,1	57,0			NF Me
205447	110	49,5	45,0			NF Me
205448	125	48,0	45,0			NF Me
205630	160	65,3	62,0			NF Me
205626	200	71,0	67,0			NF Me
303176	250	96,0	90,0			
303186	315	100,0	92,0			

## TAPÓN TRIPLE CIEGO ENTALLADO



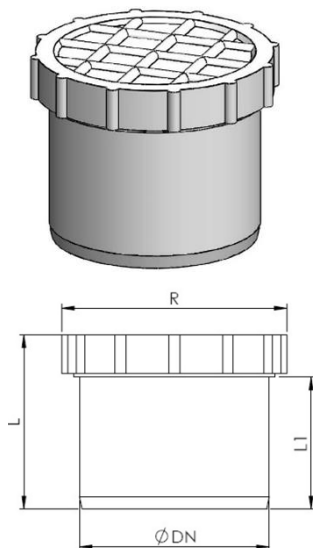
Código	∅ (mm)	L (mm)	L <sub>1</sub> (mm)	L <sub>2</sub> (mm)	L <sub>3</sub> (mm)	L <sub>4</sub> (mm)	AENOR	NF E	NF Me
205458	125/50/40/40	48,0	45,0	30,0	27,0	27,0			

## TAPÓN REGISTRO MACHO



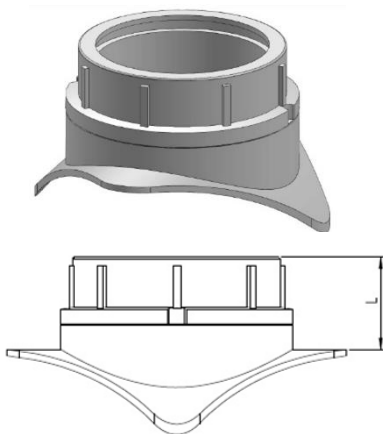
Código	Ø (mm)	L (mm)	AENOR	NF E	NF Me
303058	32	15,0			
303059	40	15,0			
205464	50	15,0			
303061	75	44,0			
303062	90	52,0			
205459	100	45,0			
205460	110	45,0			
205461	125	45,0			
205462	160	58,0			
205463	200	60,0			
303016	250	90,0			
303002	315	92,5			

## TAPÓN REGISTRO CON ROSCA MACHO



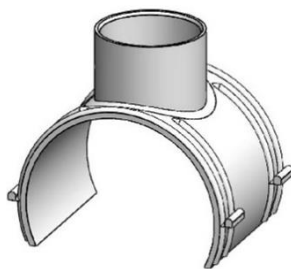
Código	Ø (mm)	L (mm)	L <sub>1</sub> (mm)	R (mm)	AENOR	NF E	NF Me
205464	50	53,0	37,0	63,0			
205465	63	72,5	48,5	81,0			
205466	80						
205467	100	90,0	69,0	117,5			
205468	125	102,0	77,5	143,0			
205469	140						
205470	160	120,0	94,0	178,0			
205471	200						

## INJERTO CLICK DE SEGURIDAD 87° 30'

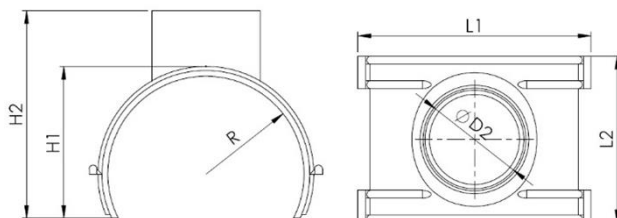


Código	Ø (mm)	L (mm)	AENOR	NF E	NF Me
205472	100/110/125-50	28,0			
205473	100/110/125/40	28,0			

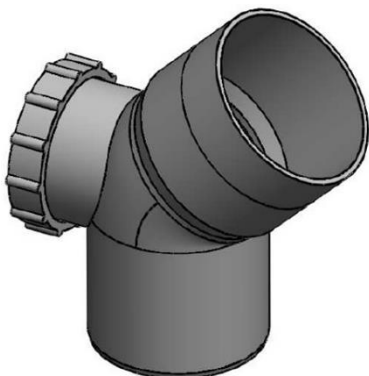
## INJERTO A TUBO



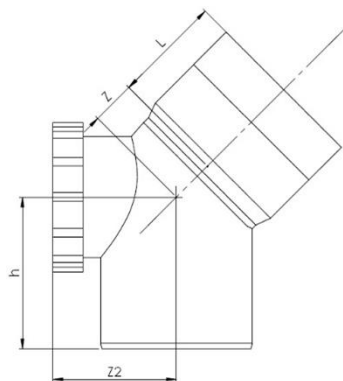
Código	Ø (mm)	D <sub>2</sub> (mm)	H <sub>1</sub> (mm)	H <sub>2</sub> (mm)	L <sub>1</sub> (mm)	L <sub>2</sub> (mm)	R (mm)	AENOR	NF E	NF Me
205474	100/110/125-32	32,0	77,0	97,5	119,0	85,0	100,0			
205475	100/110/125-40	40,0	77,0	99,0	119,0	85,0	100,0			
205476	100/110/125-50	50,0	77,0	107,0	119,0	85,0	100,0			



## CODO REGISTRO MACHO-HEMBRA

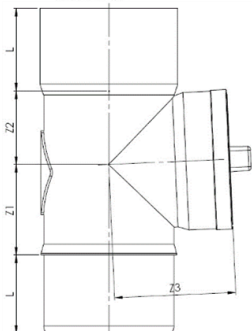
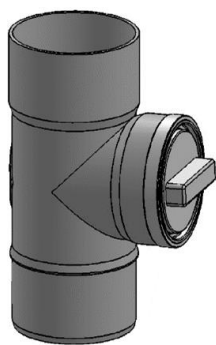


Código	Ø (mm)	h (mm)	L (mm)	Z (mm)	Z <sub>2</sub> (mm)	AENOR	NF E	NF Me
205477	100	104,0	68,0	30,0	84,0			
205478	125							
205479	140							
205480	160							



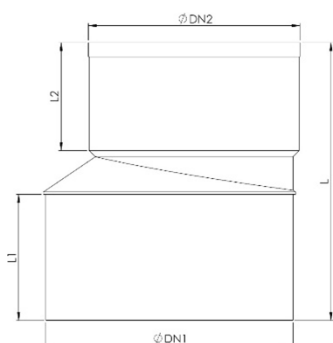
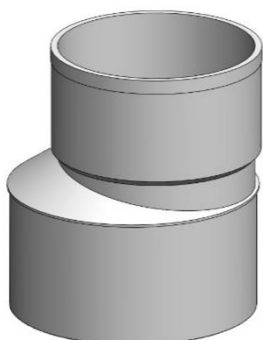


## DERIVACIÓN REGISTRO MACHO-HEMBRA



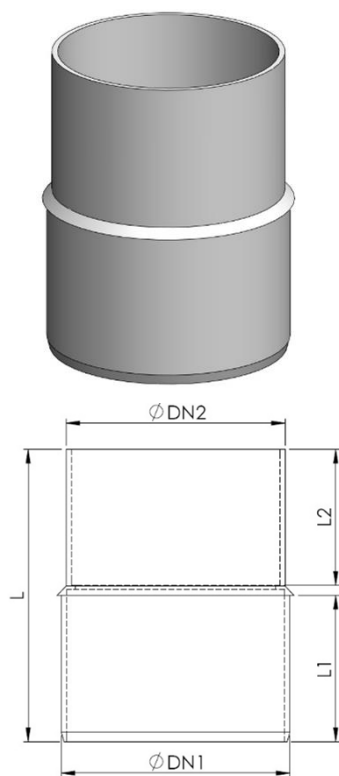
Código	∅ (mm)	L (mm)	Z <sub>1</sub> (mm)	Z <sub>2</sub> (mm)	Z <sub>3</sub> (mm)	AENOR	NF E	NF Me
205481	110	66,0	75,0	65,0	104,5			NF Me
205482	125							NF Me
205483	160	90,0	97,0	97,0	133,5			NF Me
205484	200	97,5	114,0	114,0	148,5			NF Me

## AMPLIACIÓN EXCÉNTRICA HEMBRA-MACHO



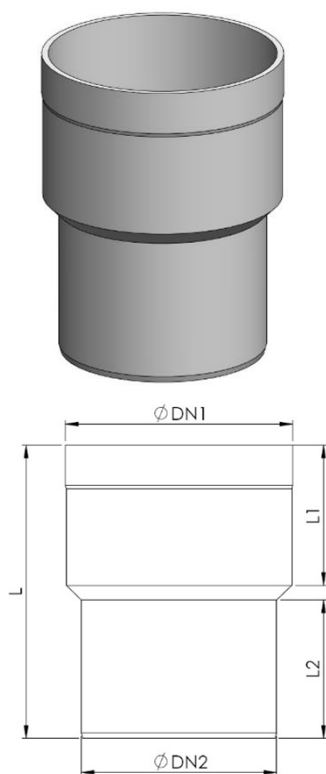
Código	∅ (mm)	L (mm)	L <sub>1</sub> (mm)	L <sub>2</sub> (mm)	AENOR	NF E	NF Me
205490	32/40	62,0	24,8	23,4			NF Me
205491	32/50	75,0	30,0	23,2			NF Me
205492	40/50	72,0	30,0	26,0	∅		NF Me
205493	50/75	100,0	42,2	32,8	∅		NF Me
303070	50/90	117,0	53,0	32,0			NF Me
205494	75/90	118,0	49,5	45,5			NF Me
205495	75/110	143,5	59,5	44,0	∅		NF Me
205496	75/125	146,5	65,5	45,2			NF Me
205497	80/100	123,5	56,5	46,5			NF Me
205498	90/110	143,0	56,7	52,0			NF Me
205499	90/125	150,0	65,8	51,0			NF Me
205500	100/125	150,4	61,4	57,0			NF Me
205501	100/160	171,0	80,0	57,0			NF Me
205502	100/200	218,0	100,0	57,0			NF Me
205503	110/125	152,5	63,6	67,0			NF Me
205504	110/160	178,0	83,4	62,5			NF Me
205505	125/160	179,0	79,0	68,0			NF Me
205506	125/200	211,0	102,0	67,0			NF Me
205507	140/160						NF Me
205508	140/200						NF Me
205509	160/200	228,0	102,2	91,0			NF Me
303190	200/250	265,0	134,0	86,0			
303191	250/315	307,0	144,0	103,0			
303192	315/400	365,0	155,0	120,0			

## AMPLIACIÓN CONCÉNTRICA HEMBRA-MACHO



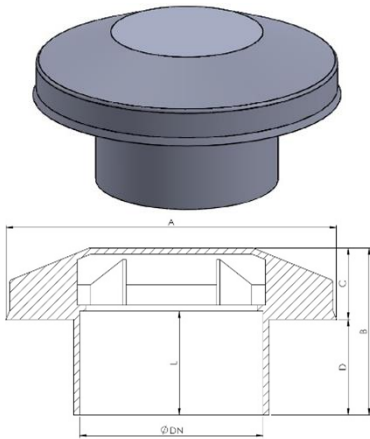
Código	$\varnothing$ (mm)	L (mm)	L <sub>1</sub> (mm)	L <sub>2</sub> (mm)	AENOR	NF E	NF Me
205513	32/40						
205514	32/50						
205515	40/50						
205516	32/63						
205517	40/63	86,5	44,5	29,5			
205518	50/63						
205519	40/80						
205520	50/80						
205521	63/80						
205522	40/100						
205523	50/100						
205524	63/100						
205525	80/100						
205526	100/110	141,0	70,5	65,5			
205527	40/125						
205528	50/125						
205529	63/125						
205530	80/125						
205531	100/125						
205532	110/125						
205533	80/140						
205534	100/140						
205535	125/140						

## REDUCCIÓN CONCÉNTRICA HEMBRA-MACHO



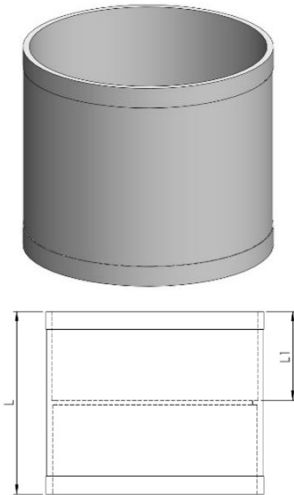
Código	Ø (mm)	L (mm)	L <sub>1</sub> (mm)	L <sub>2</sub> (mm)	AENOR	NF E	NF Me
205536	40/32						NF Me
205537	50/32						NF Me
205538	50/40	83,0	35,0	38,0			NF Me
205539	63/32						NF Me
205540	63/40	100,0	40,0	43,0			NF Me
205541	63/50						NF Me
205542	80/32						NF Me
205543	80/40						NF Me
205544	80/50						NF Me
205545	80/63						NF Me
205546	100/40						NF Me
205547	100/50						NF Me
205548	100/63	140,0	65,0	62,0			NF Me
205549	100/80						NF Me
205550	110/100	150,0	70,0	70,5			NF Me
205551	125/40						NF Me
205552	125/50						NF Me
205553	125/63						NF Me
205554	125/80						NF Me
205555	125/100						NF Me
205556	125/110						NF Me
205557	140/50						NF Me
205558	140/63						NF Me
205559	140/80						NF Me
205560	140/100						NF Me
205561	140/125						NF Me
205562	160/100						NF Me
205563	160/125						NF Me
205564	160/140						NF Me
205565	200/100						NF Me
205566	200/125						NF Me
205567	200/140						NF Me
205568	200/160						NF Me
205569	250/200						NF Me

## TAPA DE VENTILACIÓN



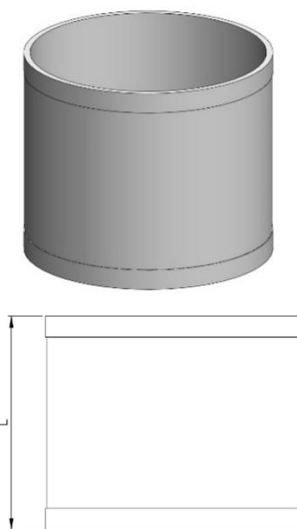
Código	Ø (mm)	A (mm)	L (mm)	B (mm)	C (mm)	D (mm)	AENOR	NF E	NF Me
303193	90	162,0	51,0	82,0	35,0	47,0			
303381	100	162,0	55,0	82,0	35,0	47,0			
303194	110	180,0	61,0	89,0	35,0	54,0			
303195	125	180,0	62,0	89,0	33,0	56,0			
303196	160	180,0	62,0	170,0	33,0	137,0			

## MANGUITO DE UNIÓN CON TOPE HEMBRA-HEMBRA



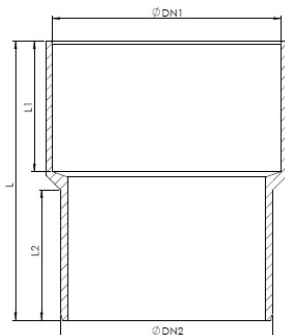
Código	Ø (mm)	L (mm)	L <sub>1</sub> (mm)	AENOR	NF E	NF Me
205570	32	49,6	23,1			
205571	40	56,5	26,7			
205572	50	64,7	31,1			
205573	63	78,3	37,7			
205574	75	92,0	44,5			
205575	80	97,0	47,0			
205576	90	105,5	51,0			
205577	100	118,5	57,5			
205578	110	126,0	61,5			
205579	125	139,5	68,0			
205580	140	125,0	61,0			

## MANGUITO DE UNIÓN PASANTE HEMBRA-HEMBRA



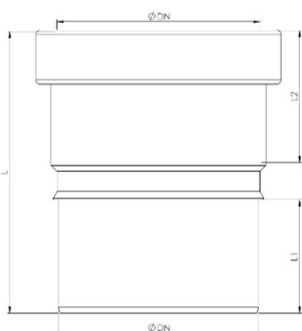
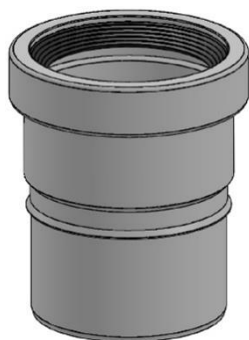
Código	Ø (mm)	L (mm)	AENOR	NF E	NF Me
205581	32	49,6			
205582	40	56,5			
205583	50	64,7			
205584	63	78,3			
205585	75	92,0			
205586	80	97,0			
205587	90	105,5			
205588	100	118,5			
205589	110	126,0			
205590	125	139,5			
205591	140	125,0			
205592	160	173,0			
205593	200	215,0			
205594	250	248,0			
303254	315	297,0			

## MANGUITO DE REPARACIÓN TUBO SIN BOCA MACHO-HEMBRA



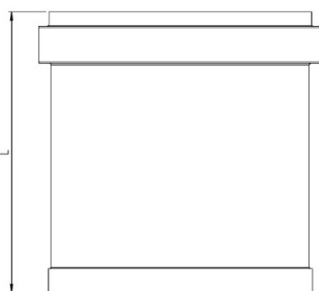
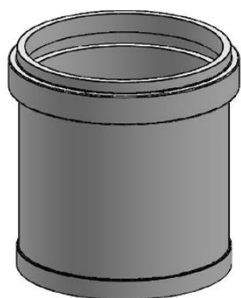
Código	∅ (mm)	DN <sub>1</sub> (mm)	DN <sub>2</sub> (mm)	L (mm)	L <sub>1</sub> (mm)	L <sub>2</sub> (mm)	AENOR	NF E	NF Me
205595	40								
205596	50								
205597	63								
205598	80								
205599	100	100,0	93,0	122,0	57,0	57,0			
205623	100/93	100,0	93,0	130,0	65,0	57,0			

## MANGUITO DE DILATACIÓN MACHO-HEMBRA FRANCIA



Código	∅ (mm)	L (mm)	L <sub>1</sub> (mm)	L <sub>2</sub> (mm)	AENOR	NF E	NF Me
205600	100	146,5	57,0	70,0			

## MANGUITO DE DILATACIÓN HEMBRA-HEMBRA ENCOLAR/J.E.



Código	∅ (mm)	L (mm)	AENOR	NF E	NF Me
205601	90	103,5			
205602	110	124,0			
205603	125	137,5			
205604	160	171,0			
205605	200	213,0			

## CASQUILLO REDUCTOR MACHO-HEMBRA



Código	∅ (mm)	L (mm)	L <sub>1</sub> (mm)	AENOR	NF E	NF Me
205621	40/32	26,0	20,0			
205622	50/40	30,0	24,0			

